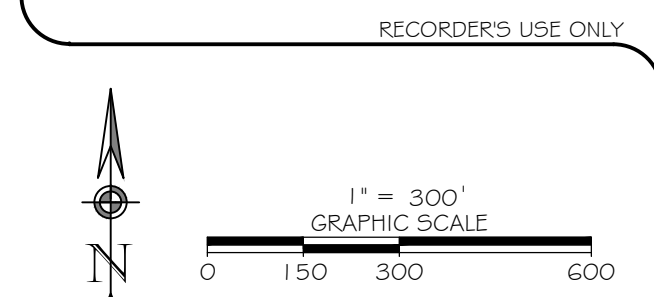
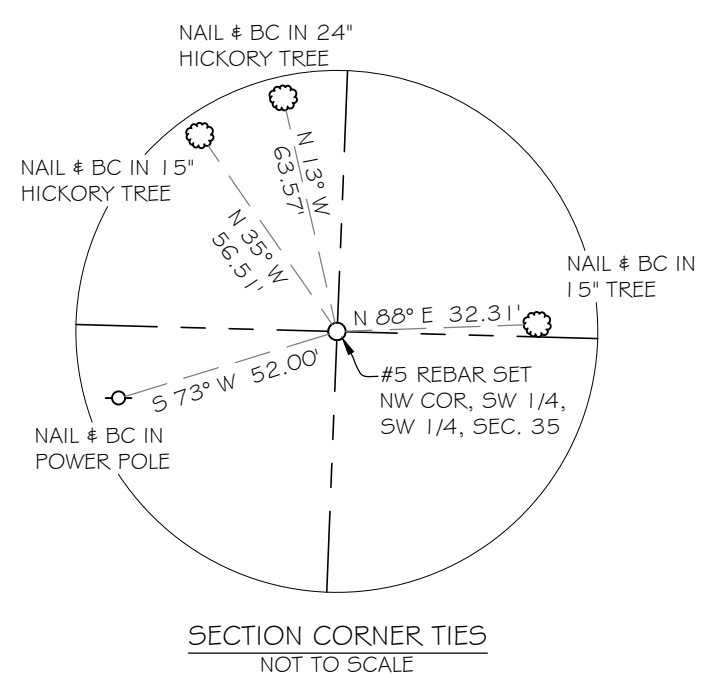
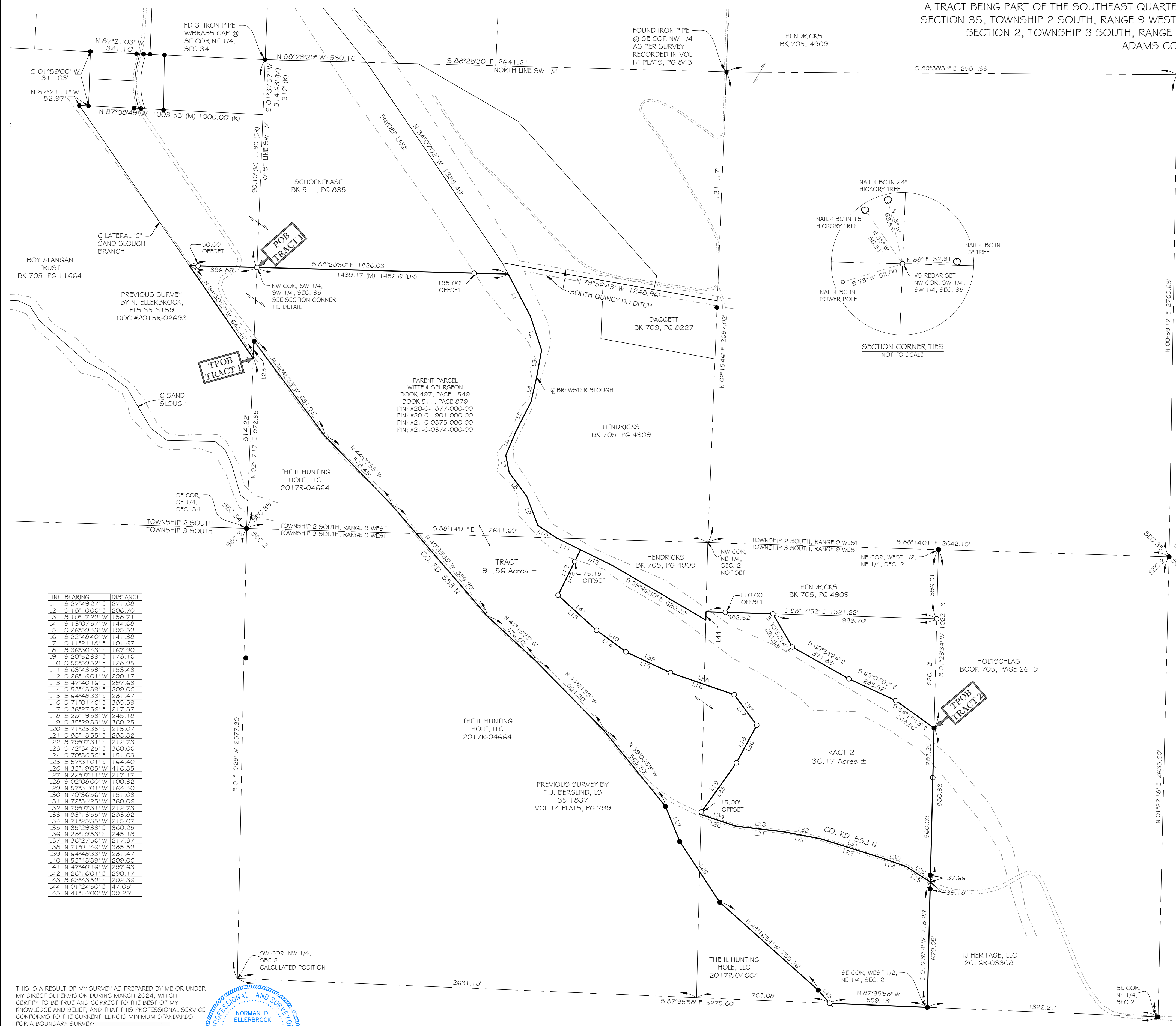


PLAT OF SURVEY

A TRACT BEING PART OF THE SOUTHEAST QUARTER OF SECTION 34 AND THE SOUTHWEST QUARTER OF SECTION 35, TOWNSHIP 2 SOUTH, RANGE 9 WEST AND THE NORTHEAST AND NORTHWEST QUARTERS OF SECTION 2, TOWNSHIP 3 SOUTH, RANGE 9 WEST OF THE FOURTH PRINCIPAL MERIDIAN, ADAMS COUNTY, ILLINOIS



- Legend**
- #5 REBAR SET
  - IRON PIN/PIPE FOUND
  - POST
  - TPOB TRUE POINT OF BEGINNING
  - (M) DISTANCE MEASURED THIS SURVEY
  - (PR) DISTANCE PER PLAT RECORD
  - (DR) DISTANCE PER DEED RECORD
  - - - FENCE

**SURVEYOR'S NOTES:**

- 1) THE PROFESSIONAL LAND SURVEYOR HAS MADE NO INVESTIGATION OR INDEPENDENT SEARCH FOR EASEMENTS OF RECORD, ENCUMBRANCES, RESTRICTIVE COVENANTS, OWNERSHIP TITLE EVIDENCE OR ANY OTHER FACTS THAT AN ACCURATE AND CURRENT TITLE SEARCH MAY DISCLOSE. THERE MAY EXIST OTHER DOCUMENTS OF RECORD NOT OF RECORD THAT MAY AFFECT THIS SURVEYED PARCEL.
- 2) THE PROPERTY OWNER NAMES AND RECORDED DEED INFORMATION WERE OBTAINED FROM THE COUNTY RECORDER AND/OR COUNTY ASSESSOR OFFICE AND ARE CONSIDERED TO BE CURRENT. THE PROFESSIONAL LAND SURVEYOR MAKES NO GUARANTEES TO THE CORRECTNESS OF THE DEEDS OR THE CURRENT STATUS OF PROPERTY OWNERSHIP.
- 3) BASIS OF BEARINGS IS BASED UPON THE ILLINOIS STATE PLANE COORDINATE SYSTEM OF 1983, EAST ZONE.
- 4) BY GRAPHIC PLOTTING ONLY, THIS PROPERTY IS LOCATED IN ZONE "AE" OR AREAS DETERMINED TO BE WITHIN THE REGULATORY FLOODWAY ZONE WITHOUT BASE FLOOD ELEVATION AS IDENTIFIED FOR THE COUNTY OF ADAMS, ILLINOIS BY THE FEDERAL EMERGENCY MANAGEMENT AGENCY ON FLOOD INSURANCE RATE MAP NUMBER 17001C0435E, DATED JULY 5, 2018 AND IS NOT IN A SPECIAL FLOOD HAZARD AREA. NO FIELD SURVEYING WAS PERFORMED TO DETERMINE THIS ZONE.
- 5) THE FIELD WORK WAS COMPLETED MARCH, 2024

SUGGESTED DESCRIPTION  
TRACT 1 - 91.56 ACRES

A TRACT OF LAND LYING IN PART OF THE SOUTHEAST QUARTER OF SECTION 34 AND THE SOUTHWEST QUARTER OF SECTION 35, TOWNSHIP 2 SOUTH, RANGE 9 WEST AND THE NORTHEAST AND NORTHWEST QUARTERS OF SECTION 2, TOWNSHIP 3 SOUTH, RANGE 9 WEST OF THE FOURTH PRINCIPAL MERIDIAN, ADAMS COUNTY, ILLINOIS BEING MORE PARTICULARLY DESCRIBED AS FOLLOWS:

COMMENCING AT A #5 REBAR SET AT THE NORTHWEST CORNER OF THE SOUTHWEST QUARTER OF THE SOUTHWEST QUARTER OF SAID SECTION 35; THENCE SOUTH 88 DEGREES 28 MINUTES 30 SECONDS EAST A DISTANCE OF 1439.17 FEET TO A POINT ON THE CENTERLINE OF BREWSTER SLOUGH, A #5 REBAR SET AS A REFERENCE MARKER BEARS NORTH 88 DEGREES 28 MINUTES 30 SECONDS WEST A DISTANCE OF 195.00 FEET; THENCE ALONG SAID CENTERLINE THE FOLLOWING ELEVEN COURSES, SOUTH 27 DEGREES 49 MINUTES 27 SECONDS EAST A DISTANCE OF 27.10 FEET; THENCE SOUTH 18 DEGREES 06 SECONDS EAST A DISTANCE OF 206.70 FEET; THENCE SOUTH 10 DEGREES 17 MINUTES 29 SECONDS WEST A DISTANCE OF 158.71 FEET; THENCE SOUTH 13 DEGREES 07 MINUTES 57 SECONDS WEST A DISTANCE OF 144.68 FEET; THENCE SOUTH 26 DEGREES 59 MINUTES 43 SECONDS WEST A DISTANCE OF 195.59 FEET; THENCE SOUTH 22 DEGREES 48 MINUTES 40 SECONDS WEST A DISTANCE OF 141.38 FEET; THENCE SOUTH 11 DEGREES 21 MINUTES 18 SECONDS EAST A DISTANCE OF 101.67 FEET; THENCE SOUTH 36 DEGREES 30 MINUTES 43 SECONDS EAST A DISTANCE OF 167.90 FEET; THENCE SOUTH 10 DEGREES 52 MINUTES 33 SECONDS EAST A DISTANCE OF 178.16 FEET; THENCE SOUTH 55 DEGREES 59 MINUTES 52 SECONDS EAST A DISTANCE OF 281.47 FEET TO A #5 REBAR SET; THENCE SOUTH 63 DEGREES 43 MINUTES 59 SECONDS EAST A DISTANCE OF 153.43 FEET, A #5 REBAR SET AS A REFERENCE MARKER BEARS SOUTH 26 DEGREES 16 MINUTES 01 SECONDS WEST A DISTANCE OF 75.15 FEET; THENCE LEAVING SAID CENTERLINE SOUTH 26 DEGREES 16 MINUTES 01 SECONDS WEST A DISTANCE OF 290.17 FEET TO A #5 REBAR SET; THENCE SOUTH 47 DEGREES 40 MINUTES 16 SECONDS EAST A DISTANCE OF 297.63 FEET TO A #5 REBAR SET; THENCE SOUTH 53 DEGREES 43 MINUTES 39 SECONDS EAST A DISTANCE OF 209.06 FEET TO A #5 REBAR SET; THENCE SOUTH 64 DEGREES 48 MINUTES 33 SECONDS EAST A DISTANCE OF 281.47 FEET TO A #5 REBAR SET; THENCE SOUTH 71 DEGREES 01 MINUTES 46 SECONDS EAST A DISTANCE OF 385.59 FEET TO A #5 REBAR SET; THENCE SOUTH 36 DEGREES 27 MINUTES 56 SECONDS EAST A DISTANCE OF 217.37 FEET TO A #5 REBAR SET; THENCE SOUTH 28 DEGREES 19 MINUTES 53 SECONDS WEST A DISTANCE OF 245.18 FEET TO A #5 REBAR SET; THENCE SOUTH 35 DEGREES 29 MINUTES 33 SECONDS WEST A DISTANCE OF 360.25 FEET TO A POINT ON THE CENTERLINE OF COUNTY ROAD 553N, A #5 REBAR SET AS A REFERENCE MARKER BEARS NORTH 33 DEGREES 33 SECONDS EAST A DISTANCE OF 15.00 FEET; THENCE ALONG SAID CENTERLINE THE FOLLOWING SIX COURSES, SOUTH 71 DEGREES 25 MINUTES 35 SECONDS EAST A DISTANCE OF 215.07 FEET; THENCE SOUTH 83 DEGREES 13 MINUTES 55 SECONDS EAST A DISTANCE OF 283.82 FEET; THENCE SOUTH 79 DEGREES 07 MINUTES 31 SECONDS EAST A DISTANCE OF 212.73 FEET; THENCE SOUTH 72 DEGREES 34 MINUTES 25 SECONDS EAST A DISTANCE OF 360.06 FEET; THENCE SOUTH 70 DEGREES 56 SECONDS EAST A DISTANCE OF 151.03 FEET; THENCE SOUTH 57 DEGREES 31 MINUTES 01 SECONDS EAST A DISTANCE OF 164.40 FEET TO A #5 REBAR SET; THENCE NORTH 48 DEGREES 16 MINUTES 54 SECONDS WEST A DISTANCE OF 75.26 FEET TO A FOUND IRON PIN; THENCE NORTH 33 DEGREES 19 MINUTES 05 SECONDS WEST A DISTANCE OF 416.85 FEET TO A FOUND IRON PIN; THENCE NORTH 22 DEGREES 07 MINUTES 11 SECONDS WEST A DISTANCE OF 217.17 FEET TO A FOUND IRON PIN; THENCE NORTH 39 DEGREES 06 MINUTES 33 SECONDS WEST A DISTANCE OF 563.30 FEET; THENCE NORTH 44 DEGREES 21 MINUTES 33 SECONDS WEST A DISTANCE OF 554.30 FEET; THENCE NORTH 47 DEGREES 19 MINUTES 33 SECONDS WEST A DISTANCE OF 376.60 FEET; THENCE NORTH 40 DEGREES 59 MINUTES 33 SECONDS WEST A DISTANCE OF 839.20 FEET; THENCE NORTH 44 DEGREES 07 MINUTES 33 SECONDS WEST A DISTANCE OF 548.45 FEET; THENCE NORTH 36 DEGREES 45 MINUTES 33 SECONDS WEST A DISTANCE OF 681.03 FEET TO A FOUND IRON PIN ON THE WEST LINE OF SAID SOUTHWEST QUARTER; THENCE SOUTH 02 DEGREES 08 MINUTES 00 SECONDS WEST ALONG THE WEST LINE OF SAID SOUTHWEST QUARTER A DISTANCE OF 100.32 FEET TO A POINT ON THE CENTERLINE OF LATERAL 'C' OF SAID SLOUGH BRANCH; THENCE ALONG SAID CENTERLINE NORTH 34 DEGREES 30 MINUTES 23 SECONDS WEST A DISTANCE OF 646.46 FEET, A #5 REBAR SET AS A REFERENCE MARKER BEARS SOUTH 88 DEGREES 28 MINUTES 30 SECONDS EAST A DISTANCE OF 50.00 FEET; THENCE LEAVING SAID CENTERLINE SOUTH 88 DEGREES 28 MINUTES 30 SECONDS EAST A DISTANCE OF 386.85 FEET TO THE POINT OF BEGINNING, CONTAINING 91.56 ACRES MORE OR LESS BEING SUBJECT TO ALL THAT PORTION BEING USED FOR PUBLIC ROAD PURPOSES.

SUGGESTED DESCRIPTION  
TRACT 2 - 36.17 ACRES

A TRACT OF LAND LYING IN PART OF THE NORTHEAST AND NORTHWEST QUARTERS OF SECTION 2, TOWNSHIP 3 SOUTH, RANGE 9 WEST OF THE FOURTH PRINCIPAL MERIDIAN, ADAMS COUNTY, ILLINOIS BEING MORE PARTICULARLY DESCRIBED AS FOLLOWS:

COMMENCING AT A FOUND IRON PIN AT THE NORTHEAST CORNER OF THE WEST HALF OF SAID NORTHEAST QUARTER; THENCE SOUTH 01 DEGREES 23 MINUTES 34 SECONDS WEST ALONG THE EAST LINE OF SAID WEST HALF A DISTANCE OF 1022.13 FEET TO FOUND IRON PIN AND THE TRUE POINT OF BEGINNING; THENCE CONTINUING ALONG SAID EAST LINE SOUTH 01 DEGREES 23 MINUTES 34 SECONDS WEST A DISTANCE OF 880.93 FEET TO A POINT ON THE CENTERLINE OF COUNTY ROAD 553N; THENCE ALONG SAID CENTERLINE THE FOLLOWING SIX COURSES, NORTH 57 DEGREES 31 MINUTES 01 SECONDS WEST A DISTANCE OF 164.40 FEET; THENCE NORTH 70 DEGREES 36 MINUTES 56 SECONDS WEST A DISTANCE OF 151.03 FEET; THENCE NORTH 72 DEGREES 34 MINUTES 25 SECONDS WEST A DISTANCE OF 360.06 FEET; THENCE NORTH 79 DEGREES 07 MINUTES 31 SECONDS WEST A DISTANCE OF 212.73 FEET; THENCE NORTH 83 DEGREES 13 MINUTES 55 SECONDS WEST A DISTANCE OF 283.82 FEET; THENCE NORTH 71 DEGREES 25 MINUTES 35 SECONDS EAST A DISTANCE OF 215.07 FEET, A #5 REBAR SET AS A REFERENCE MARKER BEARS NORTH 35 DEGREES 29 MINUTES 33 SECONDS EAST A DISTANCE OF 15.00 FEET; THENCE LEAVING SAID CENTERLINE NORTH 35 DEGREES 29 MINUTES 33 SECONDS EAST A DISTANCE OF 360.25 FEET TO A #5 REBAR SET; THENCE NORTH 28 DEGREES 19 MINUTES 53 SECONDS EAST A DISTANCE OF 245.18 FEET TO A #5 REBAR SET; THENCE NORTH 36 DEGREES 27 MINUTES 56 SECONDS WEST A DISTANCE OF 217.37 FEET TO A #5 REBAR SET; THENCE NORTH 71 DEGREES 01 MINUTES 46 SECONDS WEST A DISTANCE OF 385.59 FEET TO A #5 REBAR SET; THENCE NORTH 64 DEGREES 48 MINUTES 33 SECONDS WEST A DISTANCE OF 281.47 FEET TO A #5 REBAR SET; THENCE NORTH 53 DEGREES 43 MINUTES 39 SECONDS WEST A DISTANCE OF 209.06 FEET TO A #5 REBAR SET; THENCE NORTH 47 DEGREES 19 MINUTES 33 SECONDS WEST A DISTANCE OF 376.60 FEET TO A #5 REBAR SET; THENCE NORTH 40 DEGREES 59 MINUTES 33 SECONDS WEST A DISTANCE OF 839.20 FEET; THENCE NORTH 44 DEGREES 07 MINUTES 33 SECONDS WEST A DISTANCE OF 548.45 FEET; THENCE NORTH 36 DEGREES 45 MINUTES 33 SECONDS WEST A DISTANCE OF 681.03 FEET TO A POINT ON THE CENTERLINE OF LATERAL 'C' OF SAID SLOUGH BRANCH; THENCE ALONG SAID CENTERLINE SOUTH 88 DEGREES 28 MINUTES 30 SECONDS EAST A DISTANCE OF 50.00 FEET; THENCE LEAVING SAID CENTERLINE SOUTH 88 DEGREES 28 MINUTES 30 SECONDS EAST A DISTANCE OF 386.85 FEET TO A #5 REBAR SET; THENCE SOUTH 65 DEGREES 07 MINUTES 02 SECONDS EAST A DISTANCE OF 295.52 FEET TO A #5 REBAR SET; THENCE SOUTH 54 DEGREES 15 MINUTES 13 SECONDS EAST A DISTANCE OF 269.80 FEET TO THE TRUE POINT OF BEGINNING, CONTAINING 36.17 ACRES MORE OR LESS BEING SUBJECT TO ALL THAT PORTION BEING USED FOR PUBLIC ROAD PURPOSES.

LINE	BEARING	DISTANCE
L1	S 27°49'27" E	271.08
L2	S 18°10'06" E	206.70
L3	S 10°17'29" W	158.71
L4	S 13°07'57" W	144.68
L5	S 26°59'43" W	195.59
L6	S 22°48'40" W	141.38
L7	S 11°21'18" E	101.67
L8	S 36°30'43" E	167.90
L9	S 20°54'33" E	178.16
L10	S 55°59'52" E	128.95
L11	S 63°43'59" E	153.43
L12	S 26°16'01" W	290.17
L13	S 47°40'16" E	297.63
L14	S 53°43'39" E	209.06
L15	S 64°48'33" E	281.47
L16	S 71°01'46" E	385.59
L17	S 36°27'56" E	217.37
L18	S 28°19'53" W	245.18
L19	S 39°29'33" W	360.25
L20	S 71°25'55" E	215.07
L21	S 83°13'55" E	283.82
L22	S 79°07'31" W	212.73
L23	S 72°24'25" E	360.06
L24	S 70°36'56" E	151.03
L25	S 57°31'01" E	164.40
L26	S 31°30'05" W	141.68
L27	N 22°07'11" W	217.17
L28	S 02°08'00" W	100.32
L29	N 57°31'01" W	164.40
L30	N 72°46'56" W	151.03
L31	N 72°34'25" W	360.06
L32	N 79°07'31" W	212.73
L33	N 83°13'55" W	283.82
L34	N 71°25'55" W	215.07
L35	N 35°29'33" E	360.25
L36	N 28°19'53" E	245.18
L37	N 36°27'56" W	217.37
L38	N 71°01'46" W	385.59
L39	N 64°48'33" W	281.47
L40	N 53°43'39" W	209.06
L41	N 47°40'16" W	297.63
L42	N 26°16'01" E	290.17
L43	S 63°43'59" E	202.36
L44	N 01°24'50" E	47.05
L45	N 41°14'00" W	99.25

THIS IS A RESULT OF MY SURVEY AS PREPARED BY ME OR UNDER MY DIRECT SUPERVISION DURING MARCH 2024, WHICH I CERTIFY TO BE TRUE AND CORRECT TO THE BEST OF MY KNOWLEDGE AND BELIEF, AND THAT THIS PROFESSIONAL SERVICE CONFORMS TO THE CURRENT ILLINOIS MINIMUM STANDARDS FOR A BOUNDARY SURVEY.

**Norman D. Ellerbrock** 4/2/2024  
NORMAN D. ELLERBROCK  
ILLINOIS PROFESSIONAL LAND SURVEYOR #35-3159  
LICENSE EXPIRES NOVEMBER 30, 2024  
ILLINOIS PROFESSIONAL DESIGN FIRM #184-006044



RECORDER'S USE ONLY

PLAT OF SURVEY  
SEC. 34 & 35, T2S, R9W,  
SEC. 2, T3S, R9W,  
4TH PM, ADAMS COUNTY,  
ILLINOIS

NO.	DATE	REVISION DESCRIPTION	BY

FOUR POINTS LAND SURVEYING & ENGINEERING, INC.  
HANNIBAL, MO, USA  
573-406-9533  
ILLINOIS PROFESSIONAL DESIGN FIRM #184-006044

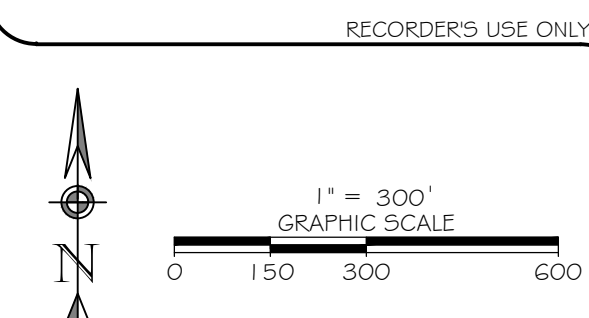
BOUNDARY SURVEY  
PREPARED FOR: WITTE ESTATE  
DRAWN: PWS  
CHECKED: NDE  
DRAWING NAME: 230252  
PROJECT NO.: 23-0252  
SHEET NO.: 1 OF 1

PLAT OF SURVEY

A TRACT BEING PART OF THE SOUTHEAST QUARTER OF SECTION 34 AND THE SOUTHWEST QUARTER OF SECTION 35, TOWNSHIP 2 SOUTH, RANGE 9 WEST AND THE NORTHEAST AND NORTHWEST QUARTERS OF SECTION 2, TOWNSHIP 3 SOUTH, RANGE 9 WEST OF THE FOURTH PRINCIPAL MERIDIAN, ADAMS COUNTY, ILLINOIS



SURVEYOR'S NOTES: 1) THE PROFESSIONAL LAND SURVEYOR HAS MADE NO INVESTIGATION OR INDEPENDENT SEARCH FOR EASEMENTS OF RECORD, ENCUMBRANCES, RESTRICTIVE COVENANTS, OWNERSHIP TITLE EVIDENCE OR ANY OTHER FACTS THAT AN ACCURATE AND CURRENT TITLE SEARCH MAY DISCLOSE. THERE MAY EXIST OTHER DOCUMENTS OF RECORD OR NOT OF RECORD THAT MAY AFFECT THIS SURVEYED PARCEL. 2) THE PROPERTY OWNER NAMES AND RECORDED DEED INFORMATION WERE OBTAINED FROM THE COUNTY RECORDER AND/OR COUNTY ASSESSOR OFFICE AND ARE CONSIDERED TO BE CURRENT. THE PROFESSIONAL LAND SURVEYOR MAKES NO GUARANTEES TO THE CORRECTNESS OF THE DEEDS OR THE CURRENT STATUS OF PROPERTY OWNERSHIP. 3) BASIS OF BEARINGS IS BASED UPON THE ILLINOIS STATE PLANE COORDINATE SYSTEM OF 1983, EAST ZONE. 4) BY GRAPHIC PLOTTING ONLY, THIS PROPERTY IS LOCATED IN ZONE 18C OR AREAS DETERMINED TO BE WITHIN THE REGULATORY FLOODWAY ZONE WITHOUT BASE FLOOD ELEVATION AS IDENTIFIED FOR THE COUNTY OF ADAMS, ILLINOIS BY THE FEDERAL EMERGENCY MANAGEMENT AGENCY ON FLOOD INSURANCE RATE MAP NUMBER 17001C0435E, DATED JULY 5, 2018 AND IS NOT IN A SPECIAL FLOOD HAZARD AREA. NO FIELD SURVEYING WAS PERFORMED TO DETERMINE THIS ZONE. 5) THE FIELD WORK WAS COMPLETED MARCH, 2024



Legend: #5 REBAR SET, IRON PIN/PIPE FOUND, POST, TPOB TRUE POINT OF BEGINNING, (M) DISTANCE MEASURED THIS SURVEY, (PR) DISTANCE PER PLAT RECORD, (DR) DISTANCE PER DEED RECORD, FENCE

SUGGESTED DESCRIPTION TRACT 1 - 91.56 ACRES: A TRACT OF LAND LYING IN PART OF THE SOUTHEAST QUARTER OF SECTION 34 AND THE SOUTHWEST QUARTER OF SECTION 35, TOWNSHIP 2 SOUTH, RANGE 9 WEST AND THE NORTHEAST AND NORTHWEST QUARTERS OF SECTION 2, TOWNSHIP 3 SOUTH, RANGE 9 WEST OF THE FOURTH PRINCIPAL MERIDIAN, ADAMS COUNTY, ILLINOIS BEING MORE PARTICULARLY DESCRIBED AS FOLLOWS:

COMMENCING AT A #5 REBAR SET AT THE NORTHWEST CORNER OF THE SOUTHWEST QUARTER OF THE SOUTHWEST QUARTER OF SAID SECTION 35; THENCE SOUTH 88 DEGREES 28 MINUTES 30 SECONDS EAST A DISTANCE OF 1439.17 FEET TO A POINT ON THE CENTERLINE OF BREWSTER SLOUGH, A #5 REBAR SET AS A REFERENCE MARKER BEARS NORTH 88 DEGREES 28 MINUTES 30 SECONDS WEST A DISTANCE OF 195.00 FEET; THENCE ALONG SAID CENTERLINE THE FOLLOWING ELEVEN COURSES, SOUTH 27 DEGREES 49 MINUTES 27 SECONDS EAST A DISTANCE OF 271.08 FEET; THENCE SOUTH 18 DEGREES 10 MINUTES 06 SECONDS EAST A DISTANCE OF 206.70 FEET; THENCE SOUTH 10 DEGREES 17 MINUTES 29 SECONDS WEST A DISTANCE OF 158.71 FEET; THENCE SOUTH 13 DEGREES 07 MINUTES 57 SECONDS WEST A DISTANCE OF 144.38 FEET; THENCE SOUTH 26 DEGREES 59 MINUTES 43 SECONDS WEST A DISTANCE OF 195.59 FEET; THENCE SOUTH 22 DEGREES 45 MINUTES 40 SECONDS WEST A DISTANCE OF 141.38 FEET; THENCE SOUTH 11 DEGREES 21 MINUTES 18 SECONDS EAST A DISTANCE OF 101.67 FEET; THENCE SOUTH 36 DEGREES 30 MINUTES 43 SECONDS EAST A DISTANCE OF 167.90 FEET; THENCE SOUTH 20 DEGREES 52 MINUTES 33 SECONDS EAST A DISTANCE OF 178.18 FEET; THENCE SOUTH 55 DEGREES 59 MINUTES 52 SECONDS EAST A DISTANCE OF 128.95 FEET; THENCE SOUTH 65 DEGREES 43 MINUTES 59 SECONDS EAST A DISTANCE OF 153.43 FEET; A #5 REBAR SET AS A REFERENCE MARKER BEARS SOUTH 26 DEGREES 16 MINUTES 01 SECONDS WEST A DISTANCE OF 75.15 FEET; THENCE LEAVING SAID CENTERLINE SOUTH 26 DEGREES 16 MINUTES 01 SECONDS WEST A DISTANCE OF 290.17 FEET TO A #5 REBAR SET; THENCE SOUTH 47 DEGREES 40 MINUTES 16 SECONDS EAST A DISTANCE OF 297.63 FEET TO A #5 REBAR SET; THENCE SOUTH 53 DEGREES 43 MINUTES 39 SECONDS EAST A DISTANCE OF 209.06 FEET TO A #5 REBAR SET; THENCE SOUTH 64 DEGREES 48 MINUTES 33 SECONDS EAST A DISTANCE OF 281.47 FEET TO A #5 REBAR SET; THENCE SOUTH 76 DEGREES 01 MINUTES 54 SECONDS EAST A DISTANCE OF 365.59 FEET TO A #5 REBAR SET; THENCE SOUTH 36 DEGREES 27 MINUTES 55 SECONDS EAST A DISTANCE OF 217.37 FEET TO A #5 REBAR SET; THENCE SOUTH 28 DEGREES 13 MINUTES 53 SECONDS WEST A DISTANCE OF 245.18 FEET TO A #5 REBAR SET; THENCE SOUTH 35 DEGREES 29 MINUTES 33 SECONDS WEST A DISTANCE OF 360.25 FEET TO A POINT ON THE CENTERLINE OF COUNTY ROAD 553N, A #5 REBAR SET AS A REFERENCE MARKER BEARS NORTH 35 DEGREES 29 MINUTES 33 SECONDS EAST A DISTANCE OF 15.03 FEET; THENCE SOUTH 31 MINUTES 01 SECONDS EAST A DISTANCE OF 164.40 FEET TO A POINT ON THE WEST HALF OF SAID NORTHEAST QUARTER; THENCE SOUTH 01 DEGREES 23 MINUTES 34 SECONDS WEST A DISTANCE OF 718.23 FEET TO A FOUND IRON PIN AT THE SOUTHEAST CORNER OF SAID WEST HALF; THENCE NORTH 67 DEGREES 35 MINUTES 58 SECONDS WEST ALONG THE SOUTH LINE OF SAID NORTHEAST QUARTER A DISTANCE OF 559.13 FEET TO A #5 REBAR SET; THENCE NORTH 71 DEGREES 14 MINUTES 00 SECONDS WEST A DISTANCE OF 99.25 FEET TO A FOUND IRON PIN; THENCE NORTH 48 DEGREES 16 MINUTES 54 SECONDS WEST A DISTANCE OF 75.26 FEET TO A FOUND IRON PIN; THENCE NORTH 33 DEGREES 19 MINUTES 05 SECONDS WEST A DISTANCE OF 418.85 FEET TO A FOUND IRON PIN; THENCE NORTH 22 DEGREES 07 MINUTES 11 SECONDS WEST A DISTANCE OF 217.17 FEET TO A FOUND IRON PIN; THENCE NORTH 39 DEGREES 06 MINUTES 33 SECONDS WEST A DISTANCE OF 563.30 FEET; THENCE NORTH 44 DEGREES 21 MINUTES 33 SECONDS WEST A DISTANCE OF 554.30 FEET; THENCE NORTH 47 DEGREES 19 MINUTES 33 SECONDS WEST A DISTANCE OF 576.88 FEET; THENCE NORTH 40 DEGREES 39 MINUTES 33 SECONDS WEST A DISTANCE OF 839.20 FEET; THENCE NORTH 44 DEGREES 07 MINUTES 33 SECONDS WEST A DISTANCE OF 548.45 FEET; THENCE NORTH 36 DEGREES 45 MINUTES 33 SECONDS WEST A DISTANCE OF 681.03 FEET TO A FOUND IRON PIN ON THE WEST LINE OF SAID SOUTHWEST QUARTER; THENCE SOUTH 02 DEGREES 08 MINUTES 00 SECONDS WEST ALONG THE WEST LINE OF SAID SOUTHWEST QUARTER A DISTANCE OF 100.32 FEET TO A POINT ON THE CENTERLINE OF LATERAL OF SAND SLOUGH BRANCH; THENCE ALONG SAID CENTERLINE NORTH 34 DEGREES 30 MINUTES 23 SECONDS WEST A DISTANCE OF 646.48 FEET; A #5 REBAR SET AS A REFERENCE MARKER BEARS SOUTH 88 DEGREES 28 MINUTES 30 SECONDS EAST A DISTANCE OF 50.00 FEET; THENCE LEAVING SAID CENTERLINE SOUTH 88 DEGREES 28 MINUTES 30 SECONDS EAST A DISTANCE OF 386.85 FEET TO THE POINT OF BEGINNING, CONTAINING 91.56 ACRES MORE OR LESS BEING SUBJECT TO ALL THAT PORTION BEING USED FOR PUBLIC ROAD PURPOSES.

SUGGESTED DESCRIPTION TRACT 2 - 36.17 ACRES: A TRACT OF LAND LYING IN PART OF THE NORTHEAST AND NORTHWEST QUARTERS OF SECTION 2, TOWNSHIP 3 SOUTH, RANGE 9 WEST OF THE FOURTH PRINCIPAL MERIDIAN, ADAMS COUNTY, ILLINOIS BEING MORE PARTICULARLY DESCRIBED AS FOLLOWS:

COMMENCING AT A FOUND IRON PIN AT THE NORTHEAST CORNER OF THE WEST HALF OF SAID NORTHEAST QUARTER; THENCE SOUTH 01 DEGREES 23 MINUTES 34 SECONDS WEST ALONG THE EAST LINE OF SAID WEST HALF A DISTANCE OF 1022.13 FEET TO FOUND IRON PIN AND THE TRUE POINT OF BEGINNING; THENCE CONTINUING ALONG SAID EAST LINE SOUTH 01 DEGREES 23 MINUTES 34 SECONDS WEST A DISTANCE OF 880.93 FEET TO A POINT ON THE CENTERLINE OF COUNTY ROAD 553N; THENCE ALONG SAID CENTERLINE THE FOLLOWING SIX COURSES, NORTH 57 DEGREES 31 MINUTES 01 SECONDS WEST A DISTANCE OF 164.40 FEET; THENCE NORTH 70 DEGREES 36 MINUTES 56 SECONDS WEST A DISTANCE OF 151.03 FEET; THENCE NORTH 72 DEGREES 34 MINUTES 25 SECONDS WEST A DISTANCE OF 360.06 FEET; THENCE NORTH 75 DEGREES 07 MINUTES 31 SECONDS WEST A DISTANCE OF 212.73 FEET; THENCE NORTH 83 DEGREES 13 MINUTES 55 SECONDS WEST A DISTANCE OF 283.82 FEET; THENCE NORTH 71 DEGREES 25 MINUTES 35 SECONDS WEST A DISTANCE OF 215.07 FEET; A #5 REBAR SET AS A REFERENCE MARKER BEARS NORTH 35 DEGREES 29 MINUTES 33 SECONDS EAST A DISTANCE OF 15.00 FEET; THENCE LEAVING SAID CENTERLINE NORTH 35 DEGREES 29 MINUTES 33 SECONDS EAST A DISTANCE OF 360.25 FEET TO A #5 REBAR SET; THENCE NORTH 47 DEGREES 40 MINUTES 16 SECONDS WEST A DISTANCE OF 297.63 FEET TO A #5 REBAR SET; THENCE NORTH 53 DEGREES 43 MINUTES 39 SECONDS WEST A DISTANCE OF 209.06 FEET TO A #5 REBAR SET; THENCE NORTH 64 DEGREES 48 MINUTES 33 SECONDS WEST A DISTANCE OF 281.47 FEET TO A #5 REBAR SET; THENCE NORTH 76 DEGREES 01 MINUTES 54 SECONDS WEST A DISTANCE OF 365.59 FEET TO A #5 REBAR SET; THENCE SOUTH 26 DEGREES 16 MINUTES 01 SECONDS WEST A DISTANCE OF 75.15 FEET; THENCE SOUTH 63 DEGREES 43 MINUTES 59 SECONDS EAST ALONG SAID CENTERLINE A DISTANCE OF 202.36 FEET; THENCE CONTINUING ALONG SAID CENTERLINE SOUTH 59 DEGREES 45 MINUTES 30 SECONDS EAST A DISTANCE OF 620.22 FEET TO A POINT ON THE WEST LINE OF SAID NORTHEAST QUARTER; THENCE NORTH 01 DEGREES 23 MINUTES 34 SECONDS EAST ALONG SAID WEST LINE A DISTANCE OF 110.05 FEET; A #5 REBAR SET AS A REFERENCE MARKER BEARS SOUTH 88 DEGREES 28 MINUTES 30 SECONDS WEST A DISTANCE OF 110.05 FEET; THENCE LEAVING SAID WEST LINE SOUTH 88 DEGREES 28 MINUTES 30 SECONDS EAST A DISTANCE OF 382.52 FEET TO A #5 REBAR SET; THENCE SOUTH 30 DEGREES 34 MINUTES 28 SECONDS EAST A DISTANCE OF 371.85 FEET TO A #5 REBAR SET; THENCE SOUTH 65 DEGREES 07 MINUTES 02 SECONDS EAST A DISTANCE OF 285.52 FEET TO A #5 REBAR SET; THENCE SOUTH 54 DEGREES 15 MINUTES 13 SECONDS EAST A DISTANCE OF 269.60 FEET TO THE TRUE POINT OF BEGINNING, CONTAINING 36.17 ACRES MORE OR LESS BEING SUBJECT TO ALL THAT PORTION BEING USED FOR PUBLIC ROAD PURPOSES.

Table with columns: LINE, BEARING, DISTANCE. Lists survey points from L1 to L49.

Norman D. Ellerbrock, ILLINOIS PROFESSIONAL LAND SURVEYOR #435-3159, LICENSE EXPIRES NOVEMBER 30, 2024. ILLINOIS PROFESSIONAL DESIGN FIRM #184-006044



PLAT OF SURVEY SEC. 34 & 35, T2S, R9W, SEC. 2, T3S, R9W, 4TH PM, ADAMS COUNTY, ILLINOIS. FOUR POINTS LAND SURVEYING & ENGINEERING, INC. PREPARED FOR: WITTE ESTATE. DRAWN BY: PWS, CHECKED BY: NDE, DRAWING NAME: 230252, PROJECT NO: 23-0252, SHEET NO. 1 OF 1.